

# Switch Mode Power Module

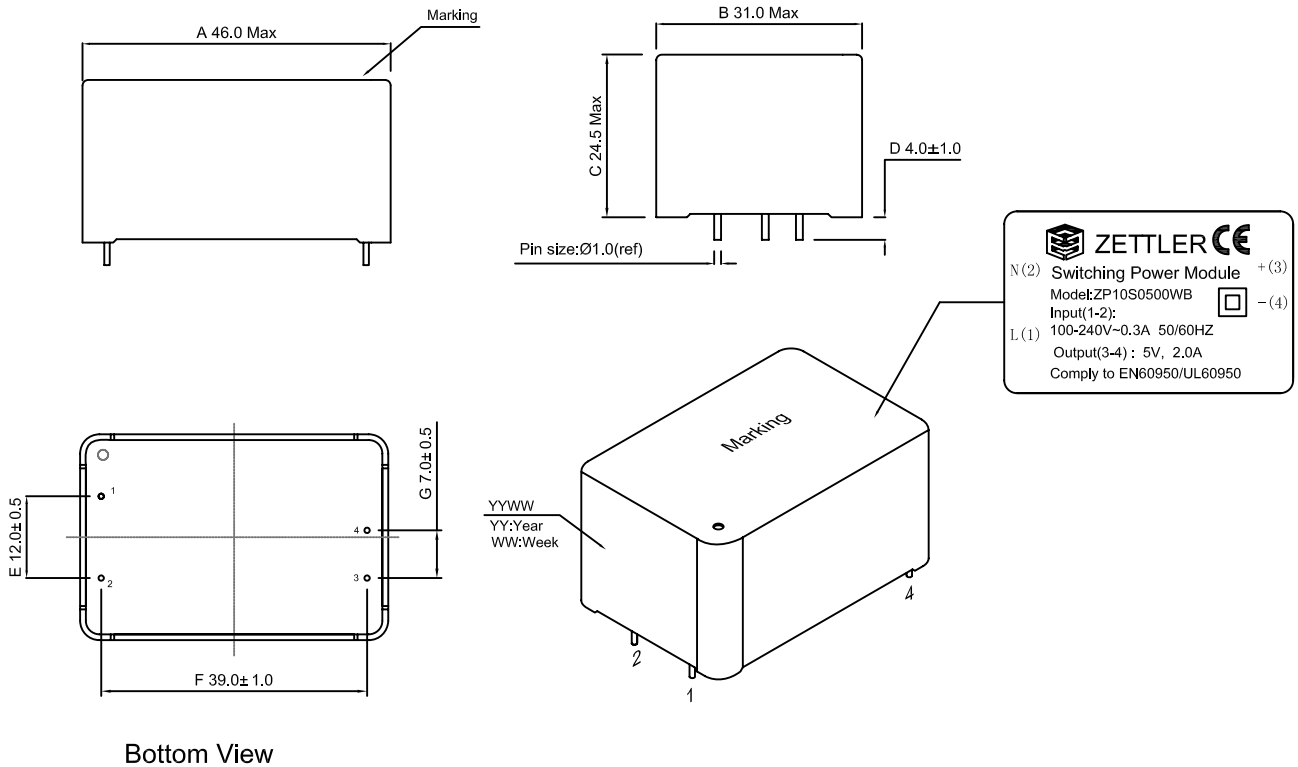
## 10W Single Output

PAGE REV	DESCRIPTION	DATE	BY
A0	CREATED	2016-01-28	Wei

### 1. ELECTRICAL SPECIFICATIONS:

Model NO.	ZP10S 0300WB	ZP10S 0500WB	ZP10S 0600WB	ZP10S 0700WB	ZP10S 0900WB	ZP10S 1000WB	ZP10S 1200WB	ZP10S 1500WB	ZP10S 1800WB	ZP10S 2400WB	ZP10S 4800WB	
Max Output Wattage (W)	10 W											
INPUT	Rated Voltage	100-240VAC										
	Voltage Range	90-264 VAC 47/63Hz										
	Inrush Current (<500us)	25 A max. (100 VAC) / 35 A max. (240 VAC)										
	No Load Losses	0.3W Max										
OUTPUT	Voltage (VDC.)	3.3V	5V	6V	7.5V	9V	10V	12V	15V	18V	24V	48V
	Voltage Accuracy (Full Load)	± 7%		± 5%								
	Current (mA) max	3000	2000	1666	1333	1111	1000	833	666	555	416	208
	Ripple	≤2% Output Voltage max (Vp-p)										
	Noise	≤1% Vout max(Vp-p)										
PROTECTION	Efficiency(Typ)											
	OCP (Over Current Protection)	Hiccup mode										
	OVP (Over Voltage Protection)	Hiccup mode										
	SCP (Short Circuit Protection)	Hiccup mode										
WEIGHT (TYP)	70g											
SAFETY	Agency Approvals	Refer to IEC60950-1/EN60950-1,IEC61558-1/EN61558-1,EN61558-2-6,EN61558-2-17										
EMC	EMI (Conducted & Radiated Emission)	Compliance With EN 55022 Class B										
	EMS (Noise Immunity)	Compliance With EN 55024,EN55014-1, EN55014-2,EN61000-3-2 Class A,EN61000-3-3										

### 2. MECHANICAL SPECIFICATIONS:



Bottom View

UNIT	TOLERANCE
MM	X.X = ± 0.5
3RD ANGLE	X.XX = ± 0.3
	ANG = -
SCALE:	DATA
DRAWN: Wei	2016-01-28
CHECKED:	
APPROVED:	

# ZETTLER MAGNETICS

TITLE: 10W SINGLE OUTPUT SWITCH MODE POWER MODULE

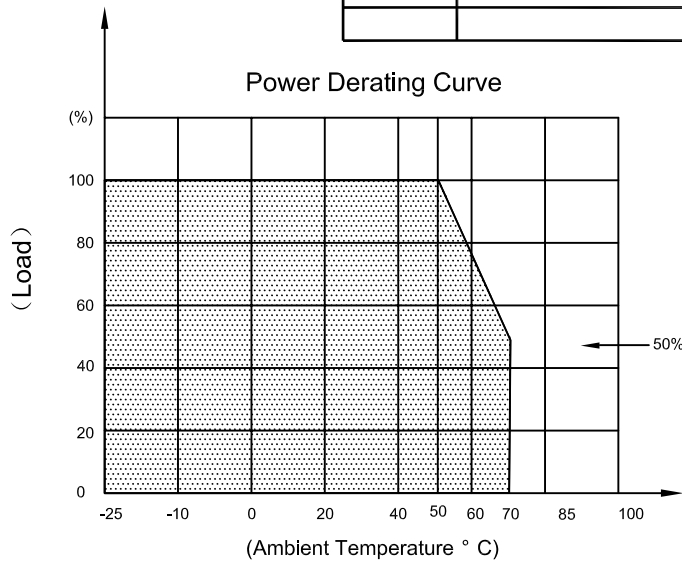
PART NO: **ZP10SXX00WB**

ZM Project:      SPEC REV: A/0  
Customers p/n:      SH NO 1/2

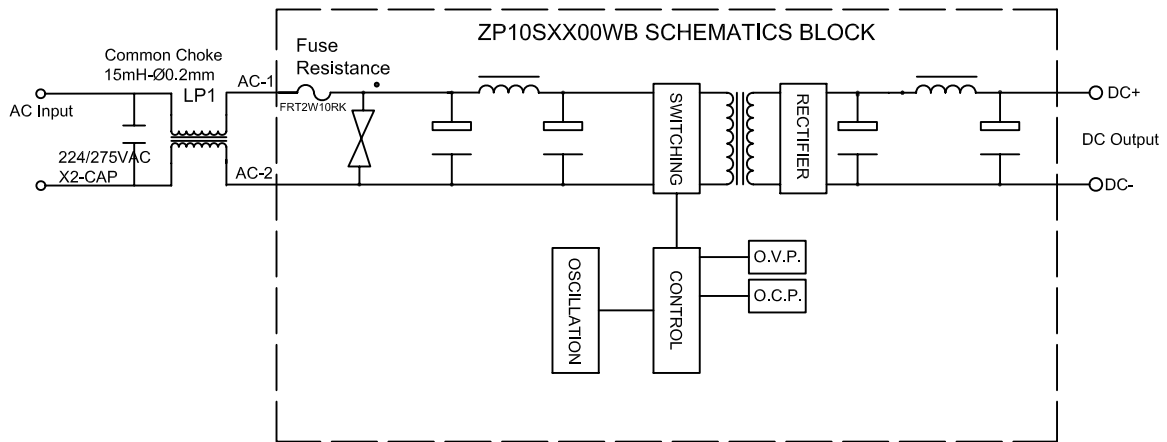
Web: [www.zettlermagnetics.com](http://www.zettlermagnetics.com)  
E-mail: [sales@zettlermagnetics.com](mailto:sales@zettlermagnetics.com)

PAGE REV	DESCRIPTION	DATE	BY
A0	CREATED	2016-01-28	Wei

3. DERATING:



4. SCHEMATIC DIAGRAM:



5. ELECTRICAL TABLE:

ITEM	FULL LOAD POWER (W)		LOSS POWER (W)	OUTPUT VOLTAGE(VDC)		OVER POWER PROTECTION		SHORT CIRCUIT PROTECTION	HI-POT VOLTAGE
	Input: 110V 60Hz	Input: 220V 50Hz		Input: 110/60HZ 220V/50Hz	Input: 110V 60Hz	Input: 220V 50Hz			
CONDITION	Input: 110V 60Hz	Input: 220V 50Hz	Input: 110/60HZ 220V/50Hz	Input: 110/60HZ 220V/50Hz		Input: 110V 60Hz	Input: 220V 50Hz	Input: 220V/50Hz	4200V/ 2s/50Hz
TERMINAL	1--2	1--2	1--2	3--4		3--4	3--4	3--4	P--S
				0mA	mA				
STANDARD	17W MAX	17W MAX	0.3W MAX	± 5%	± 5%	≤ A	≤ A	Hiccup mode	5mA Max

UNIT	TOLERANCE
MM	X.X = ± 0.5
3RD ANGLE	X.XX = ± 0.3
	ANG = -

**ZETTLER MAGNETICS**

TITLE: 10W SINGLE OUTPUT SWITCH MODE POWER MODULE

PART NO: **ZP10SXX00WB** ZM Project: \_\_\_\_\_ SPEC REV: A/0  
 Customers p/n: \_\_\_\_\_ SH NO 2/2

Web: [www.zettlermagnetics.com](http://www.zettlermagnetics.com)  
 E-mail: [sales@zettlermagnetics.com](mailto:sales@zettlermagnetics.com)

SCALE:	DATA
DRAWN: Wei	2016-01-28
CHECKED:	
APPROVED:	